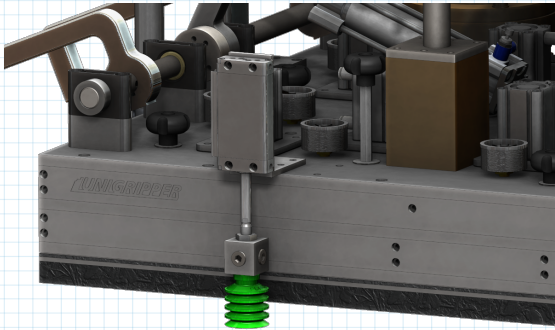


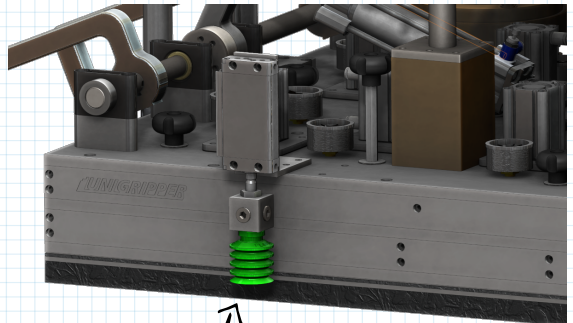


Slip-Sheet Handling

Slip sheets can be picked by the UniGripper plate itself without a problem! But there is normally a problem separating them and only pick one sheet at the time when picking from a stack, due to that slip sheet quality normally is porous. Our most common way of picking slip sheets is therefore to use cylinders with suction cups in the end and some sort of in-line vacuum generator. The cylinders are frequently positioned on the outside of the UniGripper, but can also be implemented into/through the UniGripper and embedded in the foam. With the use of the cylinders, it is easy to get a signal when the suction cups are on the slip sheet and vacuum can be applied to the suction cups based on this signal.



Suction cup lowered
for picking slip sheet



Suction cup in raised
position when not used